



Micro Commercial Components

Micro Commercial Components  
 20736 Marilla Street Chatsworth  
 CA 91311  
 Phone: (818) 701-4933  
 Fax: (818) 701-4939

## 2KBP005M THRU 2KBP10M

### 2.0 Amp Glass Passivated Bridge Rectifier 50 to 1000 Volts

### Features

- UL Recognized File # E165989
- Marking : type number
- Case Material: Molded Plastic. UL Flammability Classification Rating 94V-0 and MSL Rating 1
- Glass Passivated Die Construction
- Ideal for Printed Circuit Boards

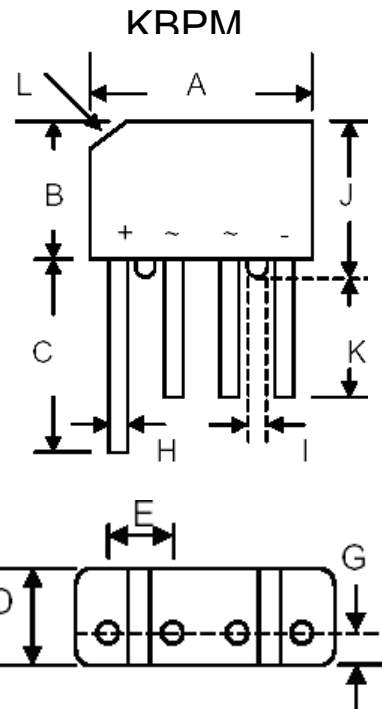
### Maximum Ratings

- Lead Free Finish/RoHS Compliant (NOTE 1)("P" Suffix designates RoHS Compliant. See ordering information)
- Operating Temperature: -55°C to +165°C
- Storage Temperature: -55°C to +165°C

MCC Part Number	Maximum Recurrent Peak Reverse Voltage	Maximum RMS Voltage	Maximum DC Blocking Voltage
2KBP005M	50V	35V	50V
2KBP01M	100V	70V	100V
2KBP02M	200V	140V	200V
2KBP04M	400V	280V	400V
2KBP06M	600V	420V	600V
2KBP08M	800V	560V	800V
2KBP10M	1000V	700V	1000V

### Electrical Characteristics @ 25°C Unless Otherwise Specified

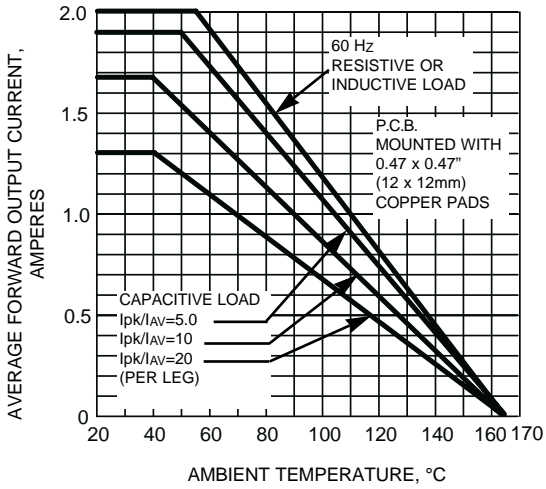
Average Forward Current	$I_{F(AV)}$	2.0A	$T_a = 40^\circ\text{C}$
Peak Forward Surge Current	$I_{FSM}$	60A	8.3ms, half sine
Maximum Forward Voltage Drop Per Element	$V_F$	1.1V	$I_F = 1.5\text{A}$ per element; $T_J = 25^\circ\text{C}$
Maximum DC Reverse Current At Rated DC Blocking Voltage	$I_R$	5.0 $\mu\text{A}$ 0.5mA	$T_J = 25^\circ\text{C}$ $T_J = 125^\circ\text{C}$
Typical Junction Capacitance per element	$C_j$	25PF	Measured at 1MHZ, VR=4V(DC)
Typical Thermal Resistance	Rthja	30 °C/W	



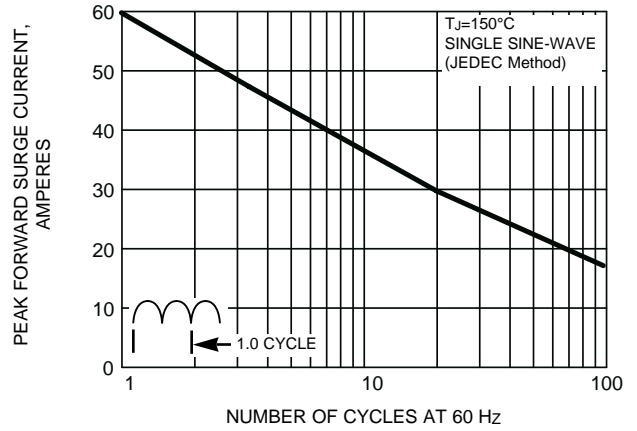
DIM	DIMENSIONS			
	INCHES		MM	
	MIN	MAX	MIN	MAX
A	.559	.60	14.22	15.24
B	.42	.46	10.67	11.68
C	.60	---	15.2	---
D	.179	.20	4.57	5.08
E	.142	.161	3.60	4.10
G	.085	.105	2.16	2.67
H	.03	.034	0.76	0.86
I	.06	---	1.52	---
J	.46	.50	11.68	12.70
K	.50	---	12.7	---
L	3.2*45° Typ.		3.2*45° Typ.	

- Note: 1. High Temperature Solder Exemption Applied, see EU Directive Annex Notes 7  
 2. Leads maintained at ambient temp. at a distance of 9.5mm from the case  
 3. Mounted on PC board with 12mm<sup>2</sup> copper pad

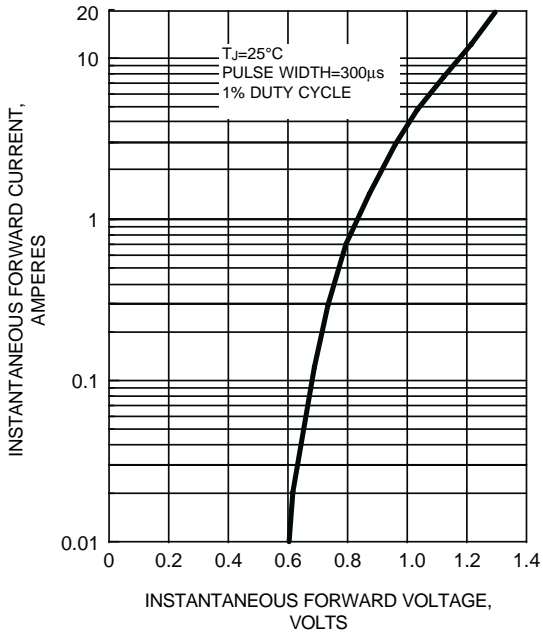
**FIG. 1 - DERATING CURVE OUTPUT RECTIFIED CURRENT**



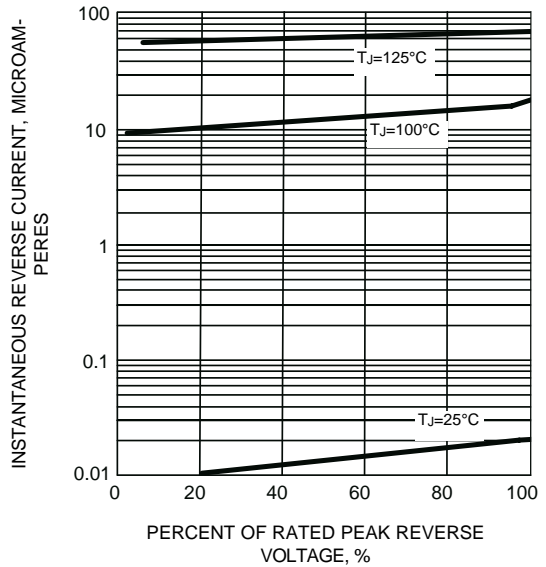
**FIG. 2 - MAXIMUM NON-REPETITIVE PEAK FORWARD SURGE CURRENT PER LEG**



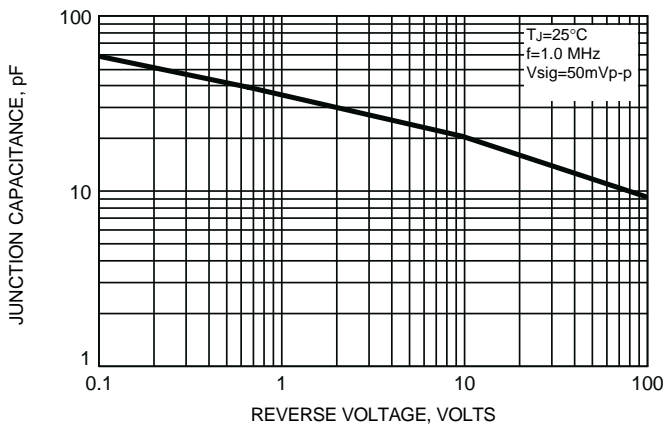
**FIG. 3 - TYPICAL FORWARD CHARACTERISTICS PER LEG**



**FIG. 4 - TYPICAL REVERSE LEAKAGE CHARACTERISTICS PER LEG**



**FIG. 5 - TYPICAL JUNCTION CAPACITANCE PER LEG**





Micro Commercial Components

## Ordering Information

Device	Packing
(Part Number)-BP	Bulk;600pcs/Box

**\*\*\*IMPORTANT NOTICE\*\*\***

*Micro Commercial Components Corp.* reserves the right to make changes without further notice to any product herein to make corrections, modifications, enhancements, improvements, or other changes. *Micro Commercial Components Corp.* does not assume any liability arising out of the application or use of any product described herein; neither does it convey any license under its patent rights, nor the rights of others. The user of products in such applications shall assume all risks of such use and will agree to hold *Micro Commercial Components Corp.* and all the companies whose products are represented on our website, harmless against all damages.

**\*\*\*APPLICATIONS DISCLAIMER\*\*\***

Products offer by *Micro Commercial Components Corp.* are not intended for use in Medical, Aerospace or Military Applications.